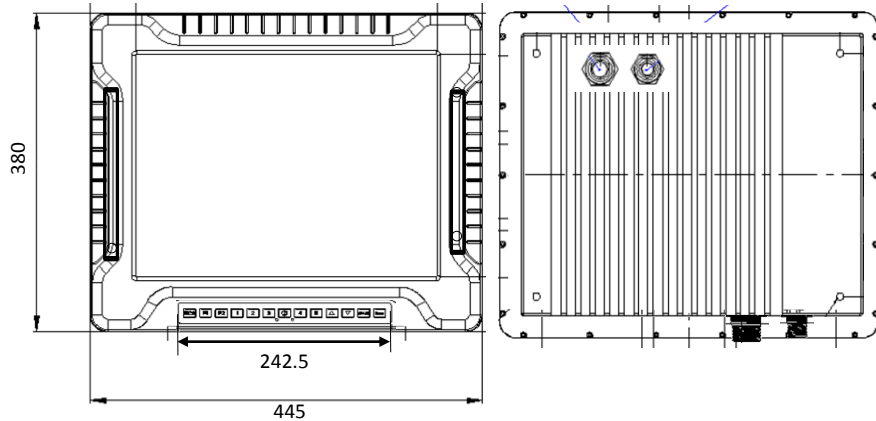


19" Military Panel PC



Specification

System Features :

• Processor	: Intel® Haswell Core™ i7 4xxx series Processor, frequency higher than 3.0Ghz
• System Memory	: DDR3L-1333/1600 8G SO-DIMM
• Storage	: SSD 256GB
• OS	: Windows 10 Pro / Linux Fedora Pre-loaded
• LED indicator	: Indicators for PC On/Off, Reset, Display On/Off
• PC button	: Power On/Off, Enter, Space, and ESC
• EMI	: EMI mesh filter applied
• Power	: 28V DC Input (Attaching with an external 230V AC power adapter)
• Housing Material	: Epoxy coating, Aluminum Hard Duty Ruggedized
• Connectors	: Front 2 IP67 USB port, Rear D38999 connectors •
• Weight	: < 13KG



Panel Specification :

• Size/ Type	: 19" (LED Backlight, with sunlight readable)
• Resolution	: 1280 x 1024
• Brightness	: 1,000 nits (High Brightness)
• Contrast Ratio	: 1000 : 1 (typ.)
• Max. Colors	: 16.7M
• Viewing Angle	: -85~ 85 (H); -80~ 80 (V)
• Touch Screen	: 5-wire resistive touch screen

Environment Tolerance :

• Operating Temperature	: -20 deg. C to 60 deg. C
• Storage Temperature	: -30 deg. C to 70 deg. C
• Humidity	: 10 to 95% (Non Condensing)
• Shock	: MIL-STD-810G Method 516.6
• Vibration	: MIL-STD-810G Method 514.6C-3
• Humidity	: MIL-STD-810G Method 507.5-7
• High Temperature	: MIL-STD-810G Method 501.5-II
• Low Temperature	: MIL-STD-810G Method 502.5
• EMC (Compliance)	: MIL-STD-461F, RE101, RE102, RS101, RS103, CE101, CE102, CS101, CS114, CS116
• IP Level	: NEMA4 , Full IP67

Input / Output :

Back Side I/O (D38999/24WH53SN)	: 3 x USB 2.0 : 2 x GbE LAN : 2 x RS232/422/485 (Default 232)
Back Side I/O (D38999/xxx TBD)	: 1 x VGA Input : 1 x DVI Input
Back Side I/O (D38999/26WD5PN)	: 1 x DC 9~36V Input
Front Side I/O	: 2 x IP67 Type A USB 2.0 connectors

Order Options :

• Caps	: I/O cover for the connector
• Mating Connectors	: Mating Plugs for D38999 connectors
• Cables	: All external cables following request shield and crust MIL. spec.
• Warranty	: Default 1 year warranty. 3-year warranty for optional

Function Key :

• Power Button	: 1 x Power Button
• Other Buttons	: All assignment referred to Page 2
• LED Indicators	: 1 x Power On/Off, 1 x HDD Indicator

19" Military Panel PC

Keypad function

Fn list	Marking on key	Function	Remark
1	ESC	ESC	Keyboard operation ESC
2	F1	Option	Reserved for programmable
3	F2	PIP / PBP /No PIP	For 2 out of 3 (VGA/DVI/PC) channels PIP/PBP
4	1	Signal Switch	Switching VGA / DVI / or PC channel
5	2	Option	Needs to be able to configure by customer
6	3	Option	Needs to be able to configure by customer
7	RED	Power	On/Off system
8	4	OSD menu operating	
9	5	OSD menu operating	
10	Up arrow	OSD menu operating	When not inside the OSD menu this button increase the brightness
11	DN arrow	OSD menu operating	When not inside the OSD menu this button decrease the brightness
12	Space	OSD menu operating	Keyboard "Space" key
13	Enter	OSD menu operating	Keyboard "Enter" key

