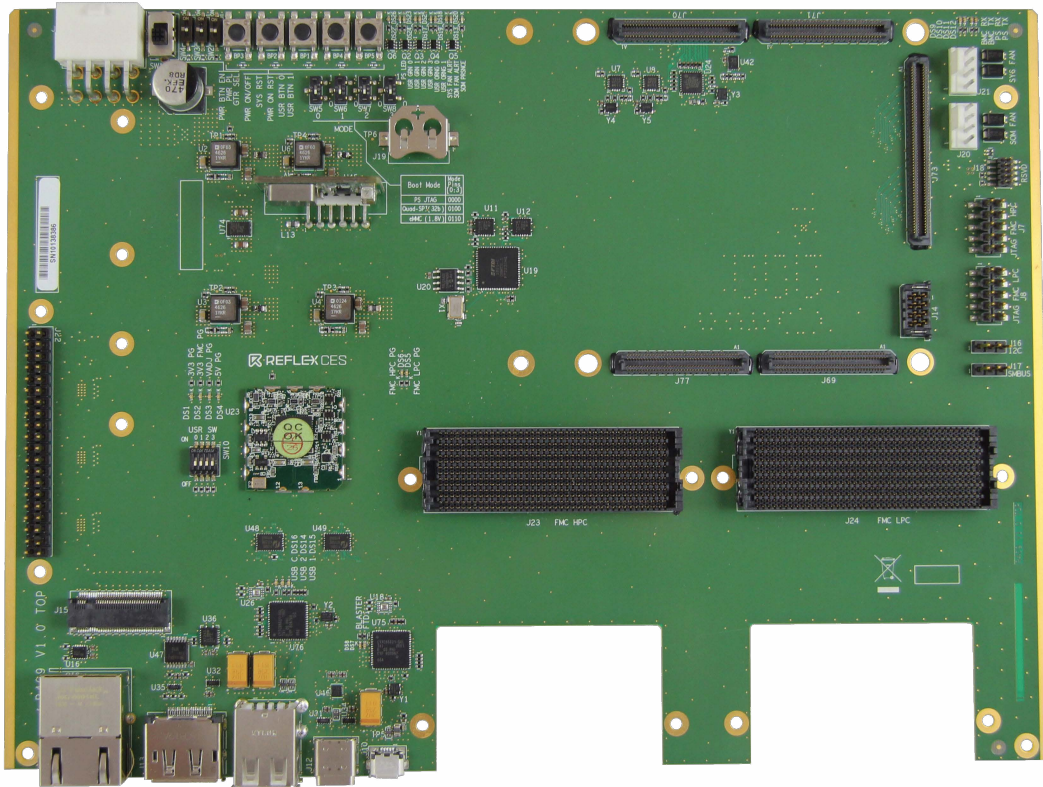
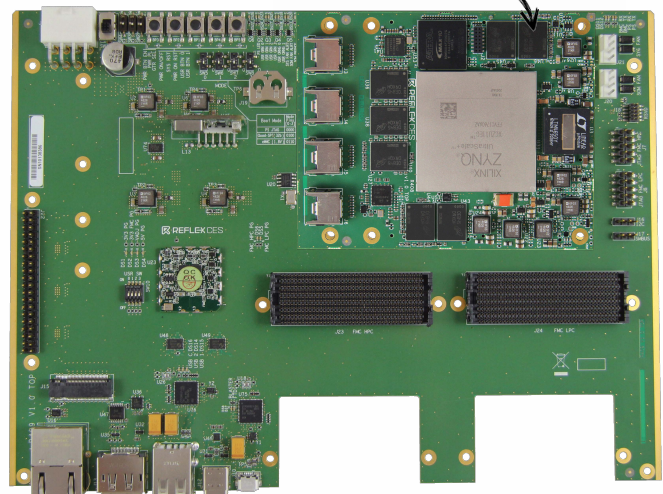


Zeus Zynq® UltraScale+™ MPSoC SoM Carrier Board



with Zeus Zynq® UltraScale+™ MPSoC module



Target applications:

Software Defined Radio
Radar Systems
Electronic Warfare
High Precision Measurement

Contact :

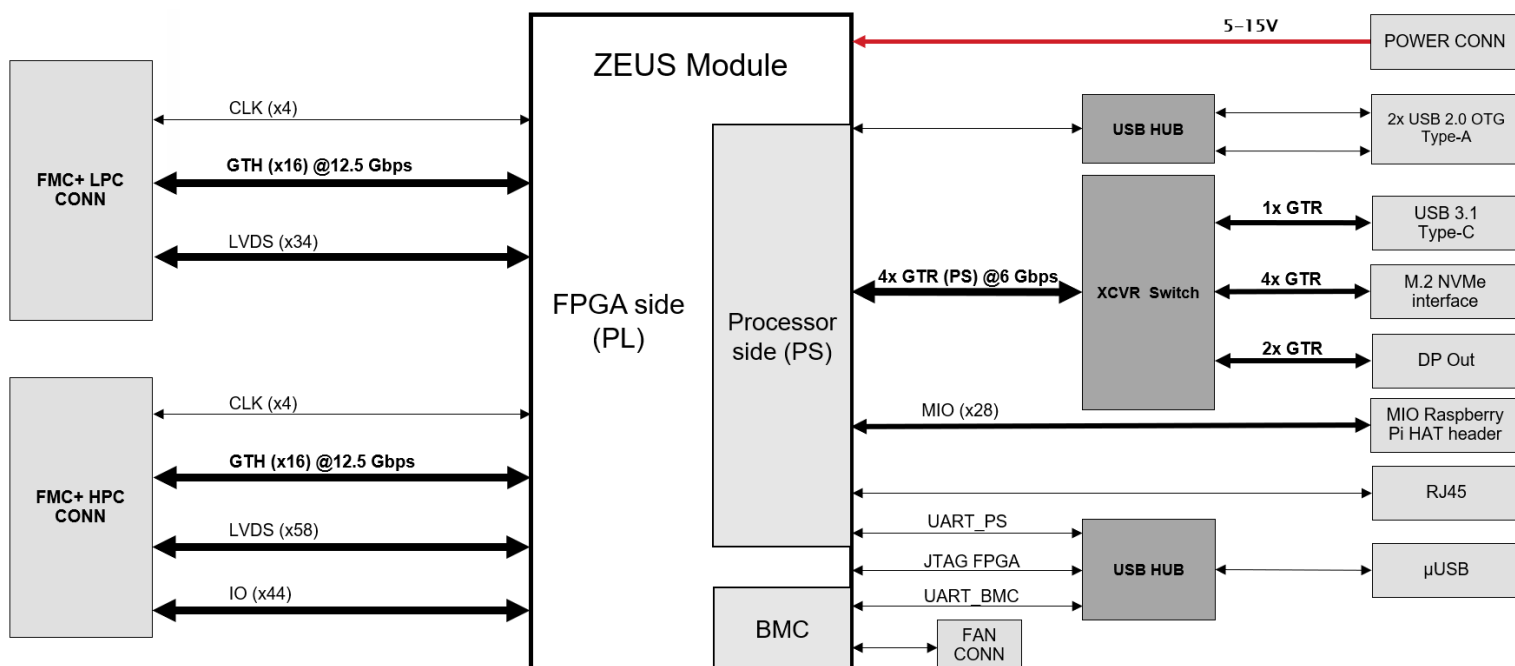
Europe Sales Office
sales@reflexces.com

www.reflexces.com

North America Sales Office
salesusa@reflexces.com



Zeus Zynq® UltraScale+™ MPSoC SoM Carrier Board



Full Specifications

Dual FMC+ connectors

- FMC+ HPC: 16 transceivers @12.5Gbps, 58x LVDS, 44x SE
- FMC+ LPC: 16 transceivers @12.5Gbps, 34x LVDS

PS Interfaces

- 1x GbE, I2C, SPI
- 2x USB2.0 Type-A, USB3.1 Type-C, DP Out
- 28x MIO: 2 x 20 position reader (Raspberry Pi HAT compatible)
- M.2 NVMe interface (M.2 NVMe drive not provided)

Misc.

- RTC battery holder
- On-board E2PROMS (BMC I2C, PS I2C)

Deliverables

- Carrier board of the Zeus Zynq® UltraScale+™ MPSoC module
- Power supply and cables (US, UK, EU, JP), micro-USB cable
- Board Support Package (to download from our online technical support):
 - Starter Guide, Module and carrier board Reference Manuals
 - HDL Test Designs by interface (Vivado 2020.2 version)
 - 100G Ethernet MAC HDL Test Design
 - Linux Kernel & Linaro optimized distribution, U-boot bootloader, Test scripts
 - Mechanical drawings, assembly files
 - Interconnect pinout file

Communication Interfaces

- FPGA= USB to JTAG
- BMC= USB to UART
- PS= USB to UART

Operating temperature : - 40°C / + 85°C
(except RTC battery)

Board dimensions : 170mm x 233.35mm

Compliance

- Fully compatible with Zeus Zynq® UltraScale+™ module
- RoHS/REACH compliant
- UL certified
- ISO9001 Facility

Ordering information

Part number = RXCZUP-CBD0SA

= Zeus module carrier board

- Carrier board schematics, Carrier board Design Guide
- On request: 3D step files on the module and its carrier board, Carrier board gerber files, carrier board BOM & PCB specification, S-parameters
- 1-year technical support
- 1-year warranty
- Online support at support.reflexces.com

Zeus Zynq® UltraScale+™ MPSoC module is sold separately.
Ordering information :
RXCZUP11EGPF42-SOM011 or RXCZUP19EGPF42-SOM011