

New!

# Model 53670

# 4-Channel 1.25 GHz D/A with DUC, Virtex-6 FPGA - 3U VPX



Model 53670 COTS (left) and rugged version



### Features

- Complete radar and software radio interface solution
- Supports Xilinx Virtex-6 LXT and SXT FPGAs
- Four 1.25 GHz 16-bit D/As
- Four digital upconverters
- Programmable output levels
- 250 MHz max. output bandwidth
- 2 GB of DDR3 SDRAM
- Sample clock synchronization to an external system reference
- Dual-μSync clock/sync bus for multiboard synchronization
- User-configurable gigabit serial interface
- Optional LVDS connections to the Virtex-6 FPGA for custom I/O
- 3U VPX form factor provides a compact, rugged platform
- Compatible with several VITA standards including: VITA-46, VITA-48 and VITA-65 (OpenVPX™ System Specification)
- Ruggedized and conduction-cooled versions available

### General Information

Model 53670 is a member of the Cobalt® family of high performance 3U VPX boards based on the Xilinx Virtex-6 FPGA. This 4-channel, high-speed data converter is suitable for connection to transmit HF or IF ports of a communications or radar system. Its built-in data playback features offer an ideal turnkey solution for demanding transmit applications.

It includes four D/As, four digital upconverters and four banks of memory. In addition to supporting PCI Express Gen. 2 over the 3U VPX backplane, the Model 53670 includes general purpose and gigabit serial connectors for application-specific I/O.

### The Cobalt Architecture

The Pentek Cobalt Architecture features a Virtex-6 FPGA. All of the board's data and control paths are accessible by the FPGA, enabling factory-installed functions including data multiplexing, channel selection, data packing, gating, triggering and memory control. The Cobalt Architecture organizes the FPGA as a container for data processing applications where each function exists as an intellectual property (IP) module.

Each member of the Cobalt family is delivered with factory-installed applications ideally matched to the board's analog interfaces. The 53670 factory-installed functions include four D/A waveform playback IP modules, to support waveform generation through the D/A converters. IP modules for DDR3 SDRAM memories, a controller for all data clocking and synchronization functions,

a test signal generator, and a PCIe interface complete the factory-installed functions and enable the 53670 to operate as a complete turnkey solution, without the need to develop any FPGA IP.

### Extendable IP Design

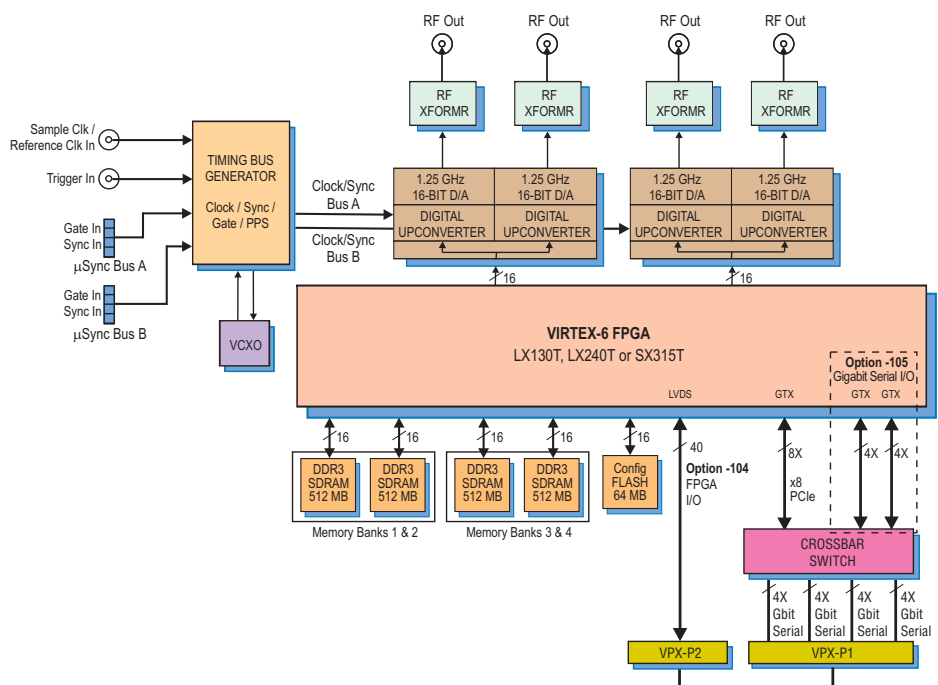
For applications that require specialized functions, users can install their own custom IP for data processing. Pentek GateFlow FPGA Design Kits include all of the factory-installed modules as documented source code. Developers can integrate their own IP with the Pentek factory-installed functions or use the GateFlow kit to completely replace the Pentek IP with their own.

### Xilinx Virtex-6 FPGA

The Virtex-6 FPGA site can be populated with a variety of different FPGAs to match the specific requirements of the processing task. Supported FPGAs include: LX130T, LX240T, or SX315T. The SXT part features 1344 DSP48E slices and is ideal for modulation/demodulation, encoding/decoding, encryption/decryption, and channelization of the signals between transmission and reception. For applications not requiring large DSP resources, one of the lower-cost LXT FPGAs can be installed.

Option -104 provides 20 pairs of LVDS connections between the FPGA and the VPX P2 connector for custom I/O.

Option -105 provides one 8X or two 4X gigabit links between the FPGA and the VPX P1 connector to support serial protocols. ➤



► Digital Upconverter and D/A Stage

Two Texas Instruments DAC3484s provide four DUC (digital upconverter) and D/A channels. Each channel accepts a baseband real or complex data stream from the FPGA and provides that input to the upconvert, interpolate and D/A stage.

When operating as a DUC, it interpolates and translates real or complex baseband input signals to a user selectable IF center frequency. It delivers real or quadrature (I+Q) analog outputs to a 16-bit D/A converter.

If translation is disabled, each D/A acts as an interpolating 16-bit D/A with output sampling rates up to 1.25 GHz. In both modes, the D/A provides interpolation factors of 2x, 4x, 8x and 16x. Analog output is through four front panel SSMC connectors.

Clocking and Synchronization

An internal timing bus provides all required D/A clocking. The bus includes a clock, sync and a gate or trigger signal. An on-board clock generator receives a sample clock either from the front panel SSMC connector or from an on-board programmable VCXO (Voltage-Controlled Crystal Oscillator). In this latter mode, the front panel SSMC connector can be used to provide a 10 MHz reference clock to phase-lock the VCXO. Either clock source (front panel or VCXO) can be used directly or can be divided by

2, 4, 8, or 16 to provide lower frequency D/A clocks.

A pair of front panel µSync connectors allows multiple boards to be synchronized. They accept CML inputs that drive the board’s sync and trigger/gate signals. The Pentek Models 5392 or 9192 Cobalt Synchronizers can drive multiple 53670 µSync connectors enabling large, multi-channel synchronous configurations.

Memory Resources

The 53670 architecture supports four independent memory banks of DDR3 SDRAM. Each bank is 512 MB deep and is an integral part of the board’s DMA and waveform playback capabilities. Waveform tables can be loaded into the memories with playback managed by the linked list controllers.

In addition to the factory-installed functions, custom user-installed IP within the FPGA can take advantage of the memories for many other purposes.

PCI Express Interface

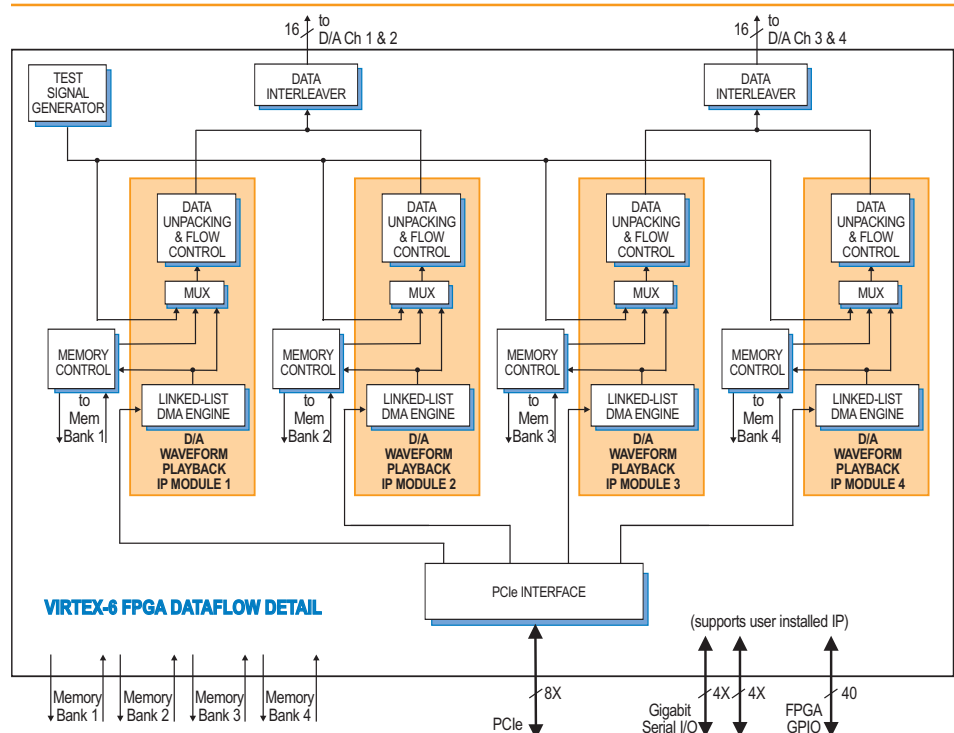
The Model 53670 includes an industry-standard interface fully compliant with PCI Express Gen. 1 & 2 bus specifications. The x8 lane interface includes multiple DMA controllers for efficient transfers to and from the board. ►

D/A Waveform Playback IP Module

The Model 53670 factory-installed functions include a sophisticated D/A Waveform Playback IP module. Four linked list controllers support waveform generation to the four D/As from tables stored in either on-board memory or off-board host memory.

Data for Channel 1 and Channel 2 are interleaved for delivery to a dual channel D/A device. For this reason, they must share a common trigger/gate, sample rate, interpolation factor, and other parameters. The same rules apply to Channel 3 and Channel 4. Parameters including length of waveform, waveform repetition, etc. can be programmed for each channel.

Up to 64 individual link entries for each D/A channel can be chained together to create complex waveforms with a minimum of programming.



**Model 8267**

The Model 8267 is a fully-integrated VPX development system for Pentek Cobalt and Onyx VPX boards. It was created to save engineers and system integrators the time and expense associated with building and testing a development system that ensures optimum performance of Pentek boards.



**Ordering Information**

Model	Description
53670	4-Channel 1.25 GHz D/A with Virtex-6 FPGA - 3U VPX

**Options:**

-002*	-2 FPGA speed grade
-062	XC6VLX240T FPGA
-064	XC6VSX315T FPGA
-104	LVDS FPGA I/O to VPX P2
-105	Gigabit serial FPGA I/O to VPX P1
-155*	Two 512 MB DDR3 SDRAM Memory Banks (Banks 1 and 2)
-165*	Two 512 MB DDR3 SDRAM Memory Banks (Banks 3 and 4)

\* These options are always required

Contact Pentek for availability of rugged and conduction-cooled versions

Model	Description
8267	VPX Development System. See 8267 Datasheet for Options

► **Fabric-Transparent Crossbar Switch**

The 53670 features a unique high-speed switching configuration. A fabric-transparent crossbar switch bridges numerous interfaces and components on the board using gigabit serial data paths with no latency. Programmable signal input equalization and output pre-emphasis settings enable optimization. Data paths can be selected as single (1X) lanes, or groups of four lanes (4X).

**Specifications**

**D/A Converters**

- Type:** TI DAC3484
- Input Data Rate:** 312.5 MHz max.
- Output Bandwidth:** 250 MHz max.
- Output Sampling Rate:** 1.25 GHz max. with interpolation
- Interpolation:** 2x, 4x, 8x or 16x
- Resolution:** 16 bits

**Front Panel Analog Signal Outputs**

- Quantity:** Four D/A outputs
- Output Type:** Transformer-coupled, front panel female SSMC connectors
- Full Scale Output:** Programmable from -20 dBm (0.063 Vp-p) to +4 dBm (1.0 Vp-p) in 16 steps
- Full Scale Output Programming:** 1.0x(G+1)/16 Vp-p, where 4-bit integer G = 0 to 15

**Clock Synthesizer**

- Clock Source:** Selectable from on-board programmable VCXO or front panel external clock
- VCXO Frequency Ranges:** 10 to 945 MHz, 970 to 1134 MHz and 1213 to 1417 MHz
- Synchronization:** VCXO can be phase-locked to an external 4 to 200 MHz system reference, typically 10 MHz
- Clock Dividers:** External clock or VCXO can be divided by 1, 2, 4, 8, or 16 for the D/A clock

**External Clock**

- Type:** Front panel female SSMC connector, sine wave, 0 to +10 dBm, AC-coupled, 50 ohms, accepts 10 to 500 MHz sample clock or 5 or 10 MHz system reference

**External Trigger Input**

- Type:** Front panel female SSMC connector
- Function:** Programmable functions include: trigger, gate, sync and PPS
- Timing Bus:** 19-pin µSync bus connector includes, clock, reset and gate/trigger inputs and outputs, CML

**Field Programmable Gate Array**

- Standard:** Xilinx Virtex-6 XC6VLX130T-2
- Optional:** Xilinx Virtex-6 XC6VLX240T-2 or XC6VSX315T-2

**Custom I/O**

- Option -104:** Provides 20 pairs of LVDS connections between the FPGA and the VPX P2 connector for custom I/O
- Option -105:** Provides one 8X or two 4X gigabit links between the FPGA and the VPX P1 connector to support serial protocols

**Memory:** Four 512 MB DDR3 SDRAM memory banks, 400 MHz DDR

**PCI-Express Interface**

**PCI Express Bus:** Gen. 1 or Gen 2: x4 or x8;

**Environmental**

- Operating Temp:** 0° to 50° C
- Storage Temp:** -20° to 90° C
- Relative Humidity:** 0 to 95%, non-cond.
- Size:** 3.937 in. x 6.717 in. (100 mm x 170.6 mm)

**VPX Families**

Pentek offers two families of 3U VPX products: the 53xxx and the 52xxx. For more information on a 52xxx product, please refer to the product datasheet. The table below provides a comparison of their main features.

**VPX Family Comparison**

	52xxx	53xxx
Form Factor	3U VPX	
# of XMCs	One XMC	
Crossbar Switch	No	Yes
PCIe path	VPX P1	VPX P1 or P2
PCIe width	x4	x8
Option -104 path	20 pairs on VPX P2	
Option -105 path	Two x4 or one x8 on VPX P1	Two x4 or one x8 on VPX P1 or P2
Lowest Power	Yes	No
Lowest Price	Yes	No