

AC103

3U VPX 3 Slots Desktop Chassis



Applications

- 3U VPX system development

Features

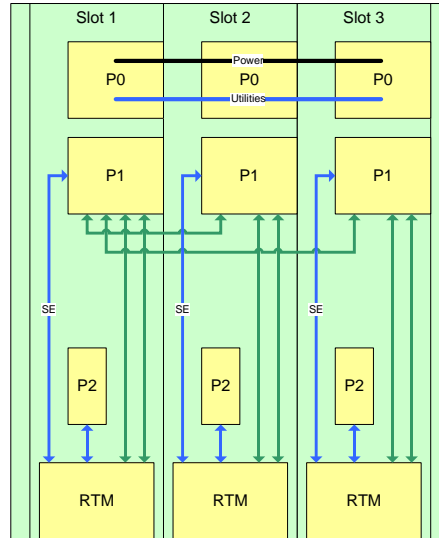
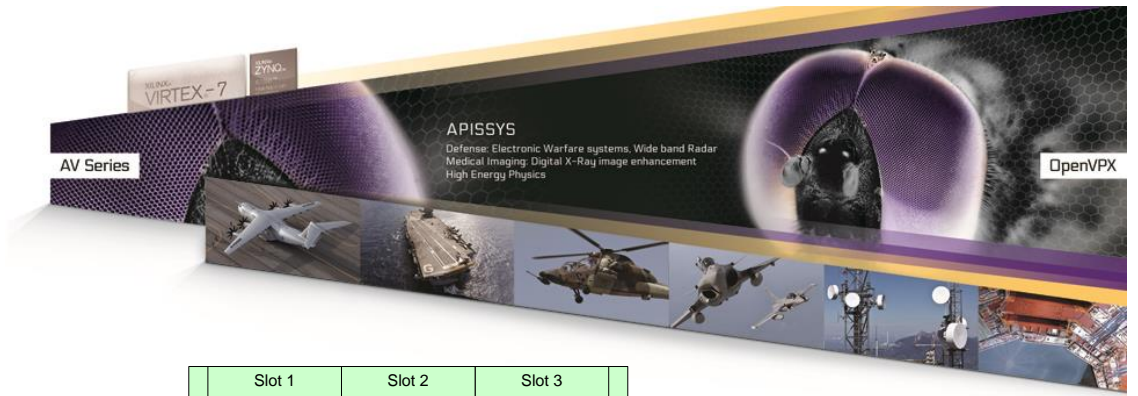
- 3 slots OpenVPX BKP3-CEN03-15.2.9-3 3U VPX backplane with RTM support
- 1" slot pitch.
- 600 W power supply

Overview

The AC103 is a 3U VPX desktop chassis with a 3 slot, 1" slot pitch, OpenVPX BKP3-CEN03-15.2.9-3 backplane designed for development and test.

The AC103 backplane supports Rear Transition Modules (RTM) with access to all user defined VPX signals.

The chassis features a 600 W power supply and strong fans for adequate cooling capabilities



Specifications

3 Slots 3U VPX Backplane

- VPX ANSI/VITA 65 OpenVPX Compliant
- 3 Slots 1" pitch
- BKP3-CEN03-15.2.9-3 topology
- RTM support with access to:
 - P1 User Defined Single Ended and Differential pairs pins
 - P2 User Defined Single Ended and Differential pairs pins

Power Supply

- 600 W power supply delivering:
 - +12V up to 15 Amps
 - +5V up to 25 Amps
 - +3.3V up to 25 Amps
 - +12VAux up to 5 Amps
 - -12VAux up to 5 Amps

Cooling

- One 62 CFM Fans on the front.

Weight

- 4.0 kg

Ordering information

Part Number	A C 103 -	rr
Convection	Convection cooled boards (default)	(AS)



Archamps Technopole
 60 rue Douglas Engelbart
 ABC1, A
 F-74160 Archamps - France
 Phone: +33 4 50 36 07 58
 Fax: +33 4 50 36 05 29

www.apissys.com

Specifications are subject to change without notice.
 All trademarks are property of their respective owners