

## AC102

### 3U VPX 5 Slots Desktop Chassis



#### Applications

- 3U VPX system development

#### Features

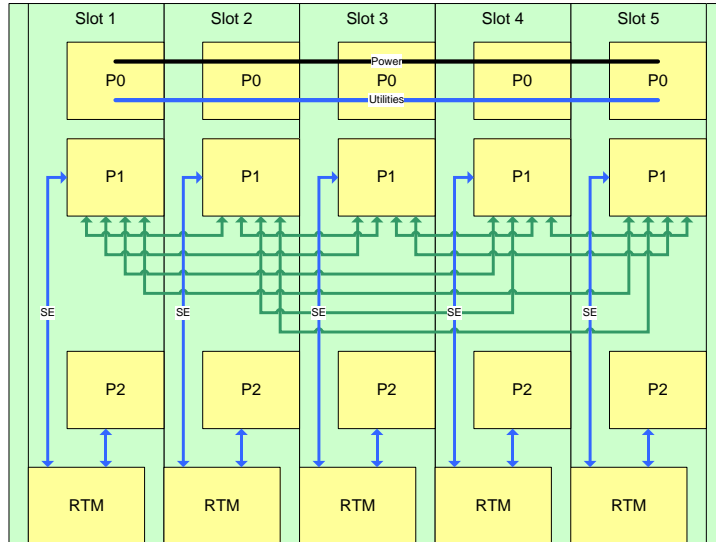
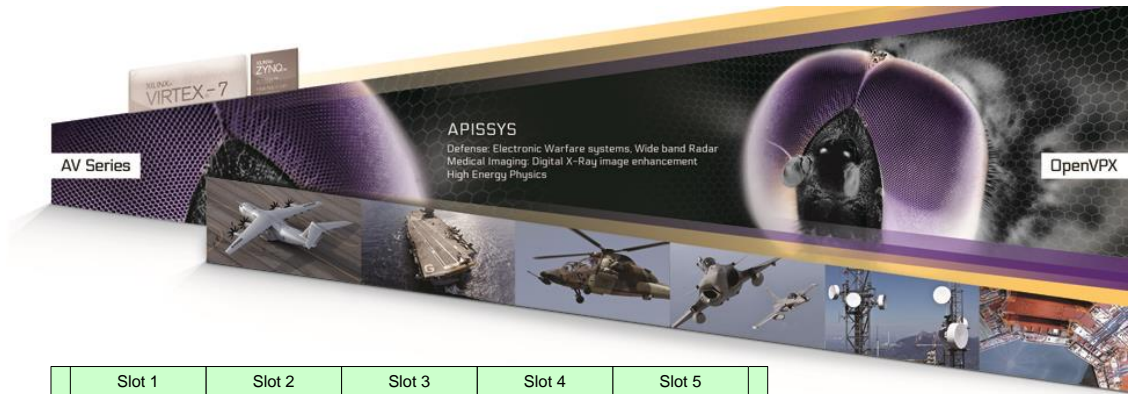
- 5 slots x4 Full Mesh 3U VPX backplane with RTM support
- 1" slot pitch.
- 600 W power supply

#### Overview

The AC102 is a 3U VPX desktop chassis with a 5 slot, 1" slot pitch, full Mesh backplane designed for development and test.

The AC102 backplane supports Rear Transition Modules (RTM) with access to all VPX P2 signals.

The chassis features a 600 W power supply and strong fans for adequate cooling capabilities



## Specifications

### 5 Slots 3U VPX Backplane

- VPX ANSI/VITA 46 Compliant
- 5 Slots 1" pitch
- Full Mesh x4 topology
- RTM support with access to:
  - P1 User Defined Single Ended pins
  - P2 User Defined Single Ended pins
  - P2 User Defined Differential pairs

### Power Supply

- 600 W power supply delivering:
  - +12V up to 45 Amps
  - +5V up to 25 Amps
  - +3.3V up to 25 Amps
  - -12V up to 0.8 Amps

### Cooling

- Two 62 CFM Fans on the front.

### Weight

- 6.8 kg

## Ordering information

Part Number	A C 102 - rr
Convection	Convection cooled boards (default) (AS)