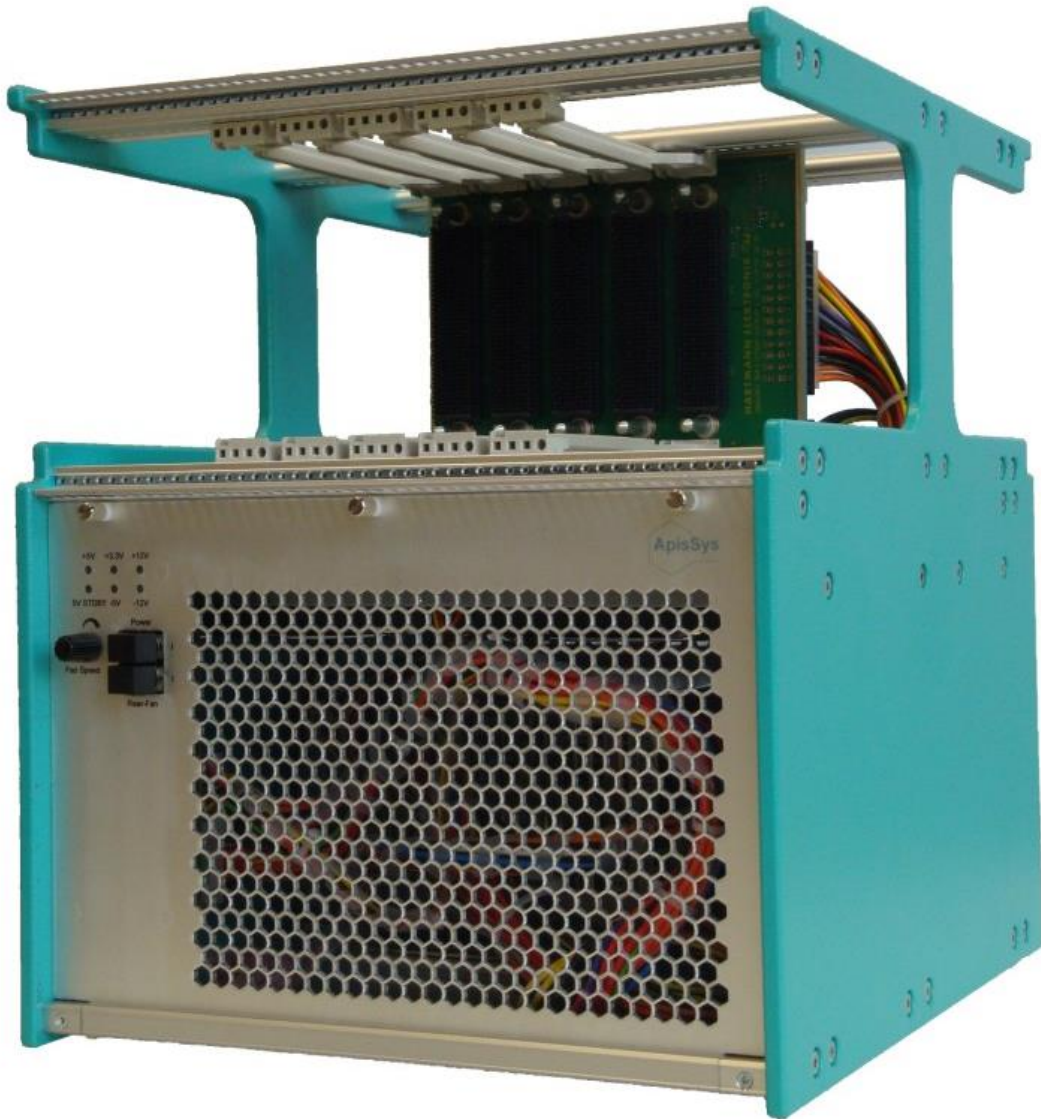


AC101

3U VPX Open Frame Development Chassis



Applications

- 3U VPX system development

Features

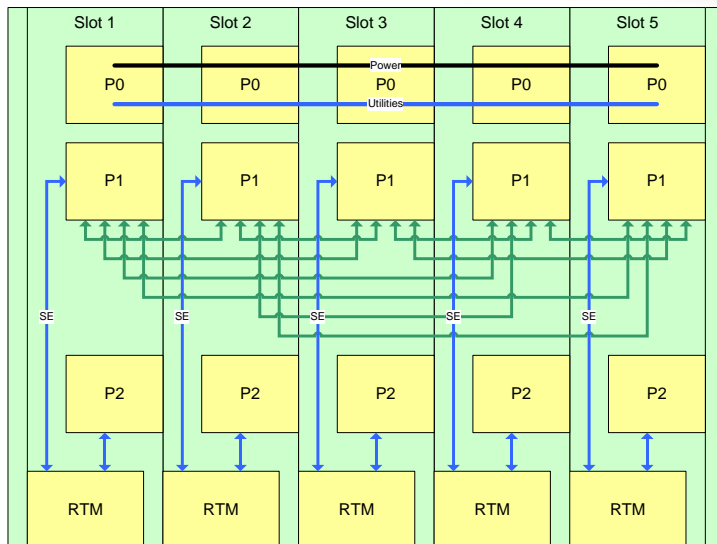
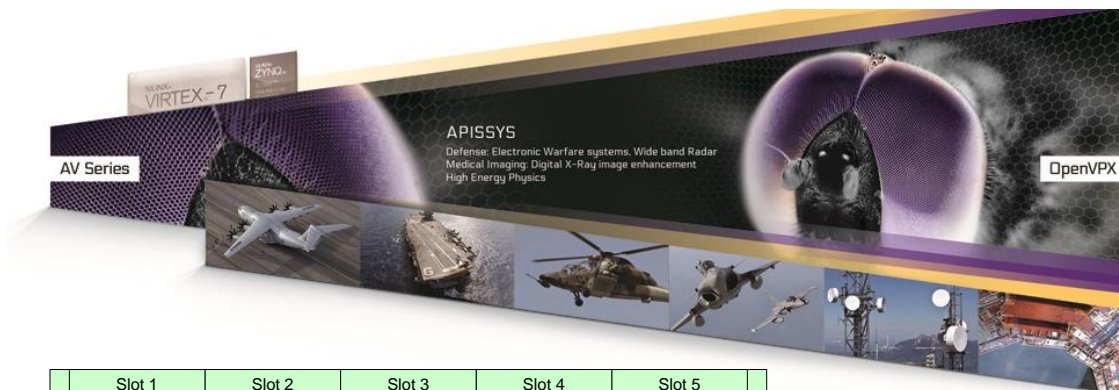
- 5 slots x4 Full Mesh 3U VPX backplane with RTM support
- 1" slot pitch.
- 600 W power supply

Overview

The AC101 is a 3U VPX open frame chassis with a 5 slot, 1" slot pitch, full Mesh backplane designed for development and test.

The AC101 backplane supports Rear Transition Modules (RTM) with access to all VPX P2 signals.

The chassis features a 600 W power supply and strong fans for adequate cooling capabilities



Specifications

5 Slots 3U VPX Backplane

- VPX ANSI/VITA 46 Compliant
- 5 Slots 1" pitch
- Full Mesh x4 topology
- RTM support with access to:
 - P1 User Defined Single Ended pins
 - P2 User Defined Single Ended pins
 - P2 User Defined Differential pairs

Power Supply

- 600 W power supply delivering:
 - +12V up to 45 Amps
 - +5V up to 25 Amps
 - +3.3V up to 25 Amps
 - -12V up to 0.8 Amps

Cooling

- Two 224 CFM Fans with speed control, on the front.
- Three 64 CFM fans with speed control, on the rear.

Weight

- 6.6 kg

Ordering information

Part Number	A C 101 - rr
Convection / Conduction	Convection cooled boards AS
	Conduction cooled boards CS